

Chelsea® 870 Series

Ten Bolt Powershift P.T.O.



Overview:

Power density is what you will find in the Chelsea 870 Series P.T.O. The new series provides you with a compact housing that helps eliminate clearance issues. Two assembly arrangements are offered that maximize your installation possibilities. High capacity bearings and superior gear designs provide you with torque ratings up to 670 Lbs. ft. for the ultimate performance. There is no need to de-rate the P.T.O. for continuous applications. The superior design of this P.T.O. provides you with all the power you will need. The 870 Series is a 10-Bolt mounting pattern that will fit on today's popular automatic transmissions. It features six shift options, four of which are integrated into the P.T.O. housing that require one hose for a simplified installation. Our popular Electronic Overspeed Control (E.O.C.) is also available to protect your driven equipment. Eight internal gear ratios provide you with a wide variety of speeds to meet your application requirements. The direct mount pump flange options are available with our Wet Spline design that provides you with increased P.T.O. and pump shaft life. Versatility, power, ease of maintenance and installation make the 870 Series the only choice for your vocational truck requirements.

- Fire and Rescue
- Waste
- Sewer
- Oil and Gas



Product Features and Benefits:

Contact Information:

Parker Hannifin Corporation
Chelsea Products Division
8225 Hacks Cross Road
Olive Branch, MS 38654 USA

Phone: 1-888-PH4-TRUK
(1-888-744-8785)

Fax: 1-662-895-1069
chelseacustserv@parker.com

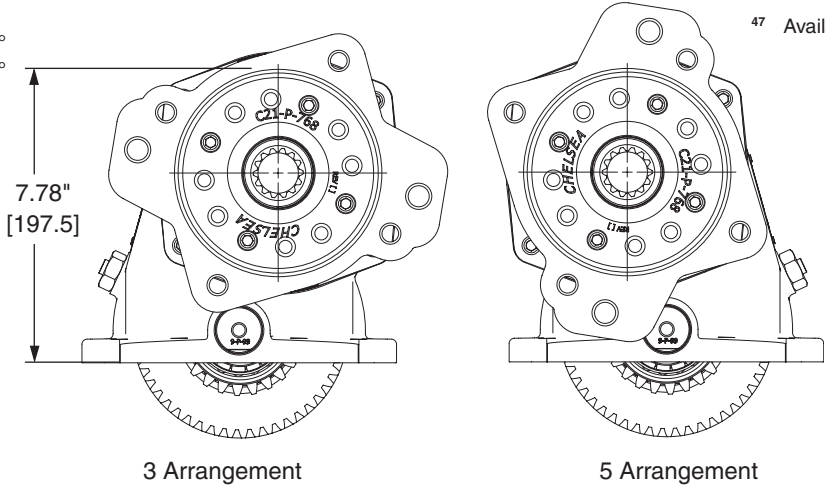
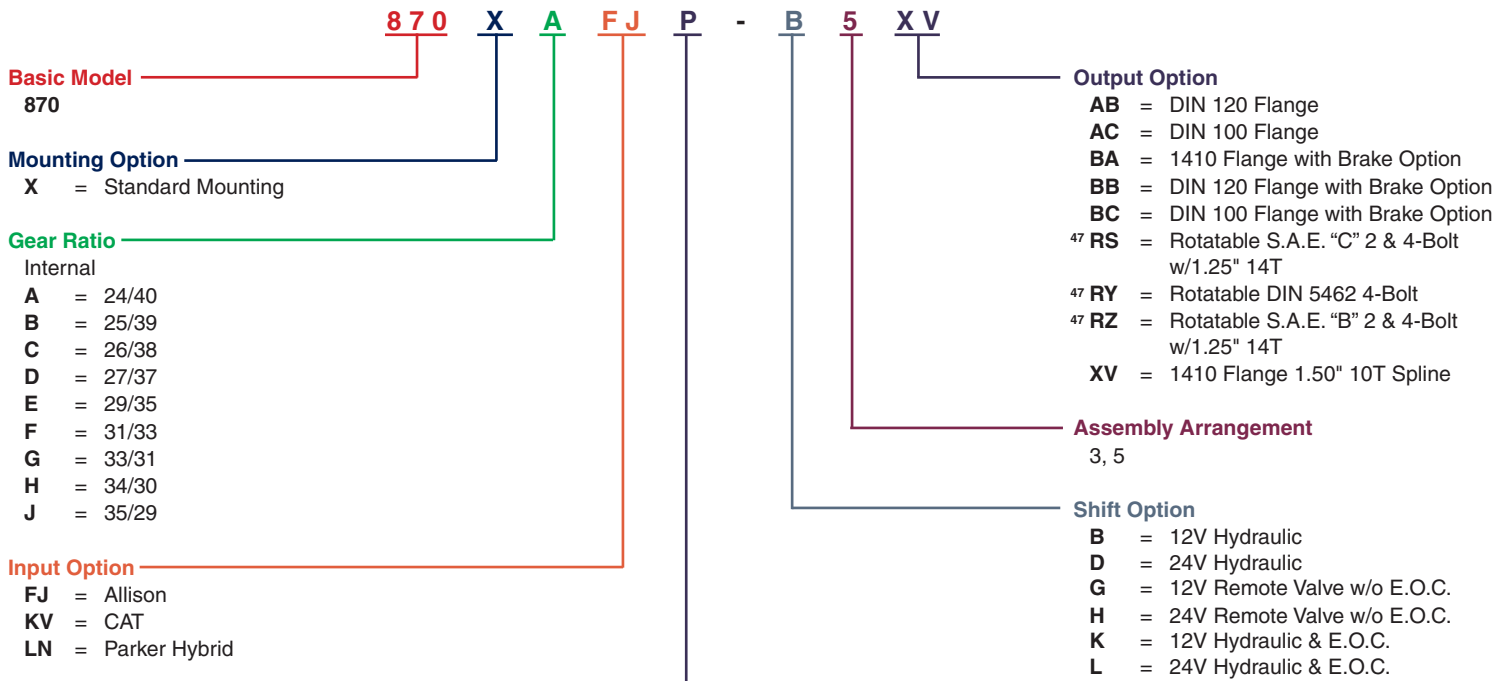
www.parker.com/chelsea

- Torque capacity up to 670 Lbs. ft. / 908 N.m.
- Compact housing height reduces clearance issues
- Integral actuation valve simplifies plumbing and reduces installation time
- Remote mount valve solves installation interference problems
- Electronic Overspeed Control (E.O.C.) protects driven equipment
- Nine speed ratios
- Nine output options
- Wet Spline pump flange extends P.T.O. and pump shaft life



ENGINEERING YOUR SUCCESS.

870 SERIES POWER TAKE-OFF SPECIFICATIONS AND TECHNICAL DATA



⁴⁷ Available with Wet Spline Option

Specifications Chart

| | 870*A | 870*B | 870*C | 870*D | 870*E | 870*F | 870*G | 870*H | 870*J |
|--|-----------------|-------|-------|-----------------------------|-------|-------|-------|-------|-------|
| Standard Output Shaft Size | | | | 1-1/2" Spline w/1410 flange | | | | | |
| Intermittent & Continuous Torque Rating (Lbs. ft.) | 670 | 630 | 590 | 550 | 485 | 430 | 380 | 355 | 335 |
| Intermittent & Continuous Torque Rating (N.m.) | 908 | 854 | 800 | 746 | 658 | 583 | 515 | 481 | 454 |
| Horsepower Rating for Intermittent & Continuous Service | | | | | | | | | |
| At 500 R.P.M. of Output Shaft (HP) | 64 | 60 | 56 | 52 | 46 | 41 | 36 | 34 | 32 |
| At 1000 R.P.M. of Output Shaft (HP) | 128 | 120 | 112 | 105 | 92 | 82 | 72 | 68 | 64 |
| At 500 R.P.M. of Output Shaft (Kw) | 48 | 45 | 42 | 39 | 35 | 31 | 27 | 25 | 24 |
| At 1000 R.P.M. of Output Shaft (Kw) | 95 | 90 | 84 | 78 | 69 | 61 | 54 | 51 | 48 |
| Approximate Weight: | 56 lbs. [25 kg] | | | | | | | | |
| Check Application Pages for actual Torque Ratings | | | | | | | | | |

© 2014 Parker Hannifin Corporation

Supersedes HY25-0152-B1/UK April 2013

HY25-0152-B1/UK September 2014



ENGINEERING YOUR SUCCESS.