

Chelsea® 277 Series

Available with the Shaft Brake Option



Overview:

Quality knows quality, that's why Allison chose Chelsea to join their engineers in developing P.T.O.s specifically for the Allison World Transmissions. The versatile 277 Series Powershift exceeds the torque capacity of a 6-Bolt P.T.O. while offering the tighter sealing of a 10-Bolt pattern. It is available in five speed ratios and multiple output types, including Chelsea's popular 360° rotatable flange. The 277 Series also features the SuperTorque™ option which provides up to 20% more torque capacity than a standard 277 Series.

- Refuse
- Aerial
- Snow & Ice Removal
- Fire & Rescue



Contact Information:

Parker Hannifin Corporation
Chelsea Products Division
8225 Hacks Cross Road
Olive Branch, MS 38654 USA

Phone: 1-888-PH4-TRUK
(1-888-744-8785)

Fax: 1-662-895-1069
chelseacustserv@parker.com

www.parker.com/chelsea

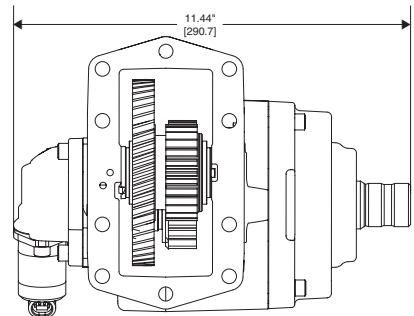
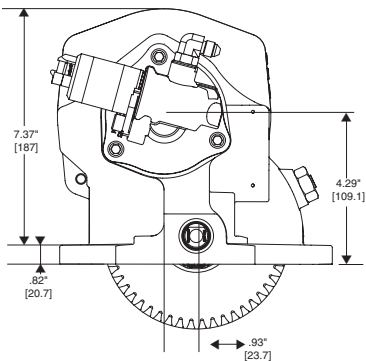
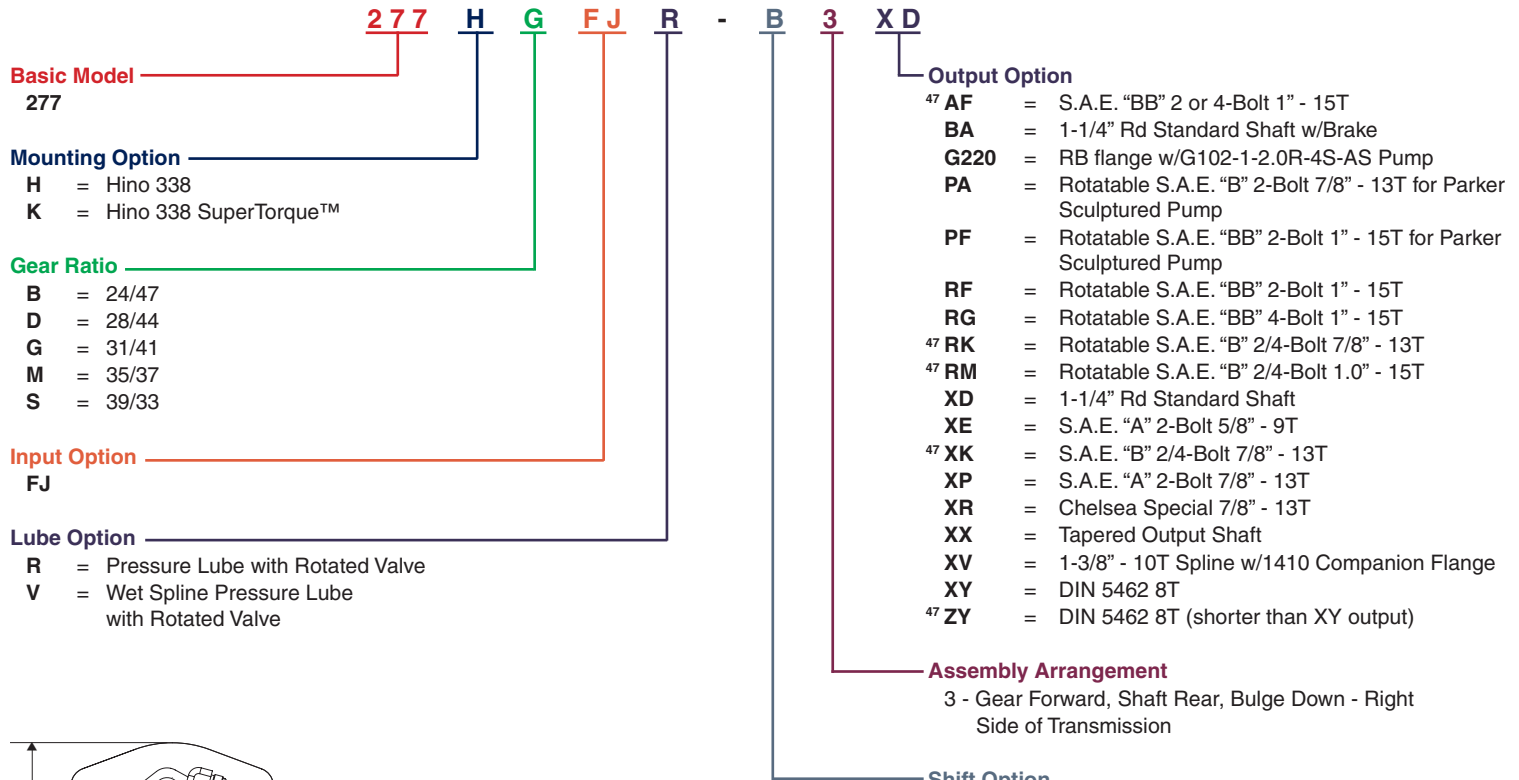
Product Features and Benefits:

- Exceeds the torque capacity of a 6-Bolt P.T.O. while offering the tighter sealing of a 10-Bolt pattern
- Five speed ratios and eighteen output options
- Combo Valve shift option available for P.T.O./Dump Pump systems
- SuperTorque™ gears available for 20% higher intermittent torque ratings
- Cartridge Valve Assembly for reduced interference
- Wet Spline Options available
- Shaft Brake option (patent #7159701) available for product pump applications
- Industry First Rotatable Wet Spline



ENGINEERING YOUR SUCCESS.

277 SERIES POWER TAKE-OFF SPECIFICATIONS AND TECHNICAL DATA



⁴⁷ Can be ordered with or without Wetspline

Specifications Chart											
	277*B	277*D	277*G	277*M	277*S	277KB	277KD	277KG	277KM	277KS	
Standard Output Shaft Size						1-1/4" Round w/key		SuperTorque™			
Intermittent Torque Rating (Lbs. ft.)	335	325	300	265	250	402	390	360	318	265	
Intermittent Torque Rating (N.m.)	454	441	407	359	339	545	529	488	431	359	
Horsepower Rating for Intermittent Service											
At 500 R.P.M. of Output Shaft (HP)	32	31	29	25	24	38	37	34	30	25	
At 1000 R.P.M. of Output Shaft (HP)	64	62	57	50	48	77	74	69	61	50	
At 500 R.P.M. of Output Shaft (Kw)	24	23	21	19	18	29	28	26	23	19	
At 1000 R.P.M. of Output Shaft (Kw)	48	46	43	38	36	57	56	51	45	38	
Approximate Weight:						49 lbs. [22 kg]					



ENGINEERING YOUR SUCCESS.